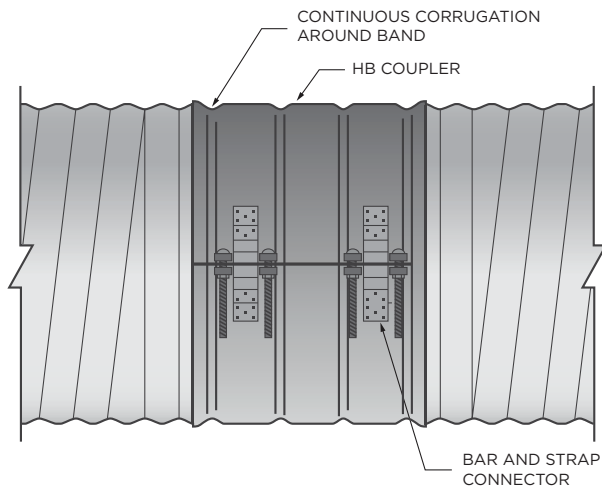




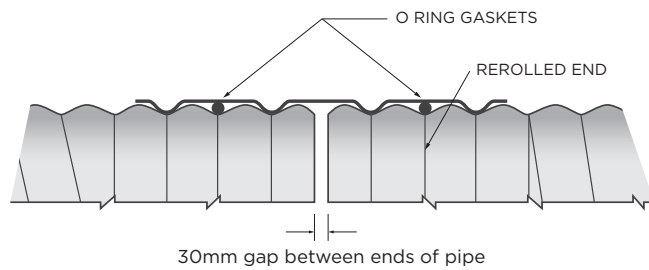
# Huggerband H-500 with Gaskets

## H-500 Huggerband Double Bolt

Double bolt, bar and strap - **Standard**

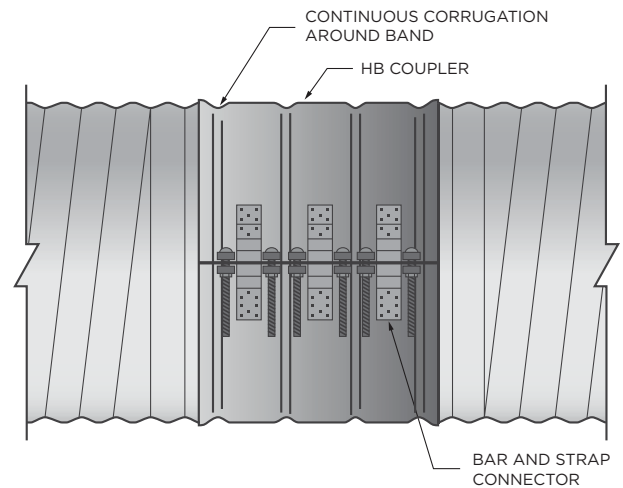


Joint cross section

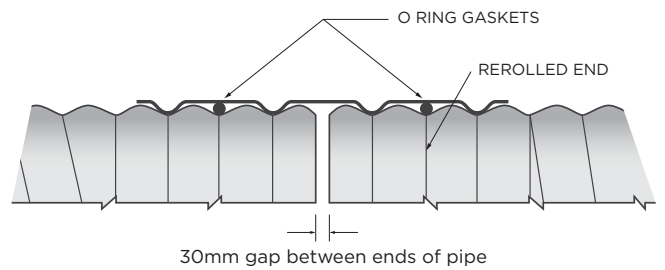


## H-500 Huggerband Triple Bolt

Triple bolt, bar and strap - **For installations requiring minimal leakage**



Joint cross section

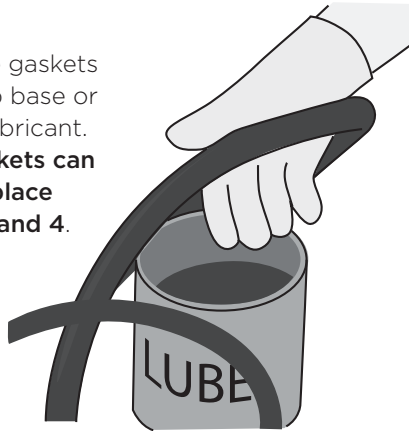


### Additional materials supplied by Armtec

- Gasket Tape
- O-rings

1

Liberalily lubricate gaskets with either a soap base or vegetable base lubricant. **Alternatively gaskets can be lubricated in place between steps 3 and 4.**

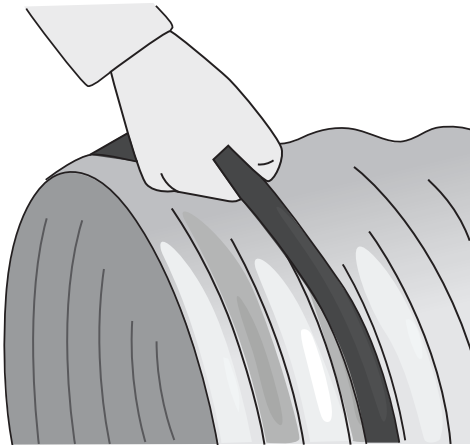


2

**Remove any foreign matter that might become lodged between the pipe and the band.** Additional lubricant to outside pipe ends is not mandatory but is recommended to produce optimum results with larger diameters or polymer coated pipe especially in cold weather.

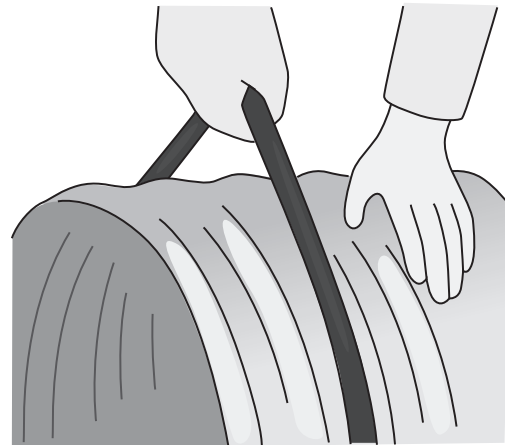


3



Pull gaskets around and into the second annular corrugation of each pipe end.

4



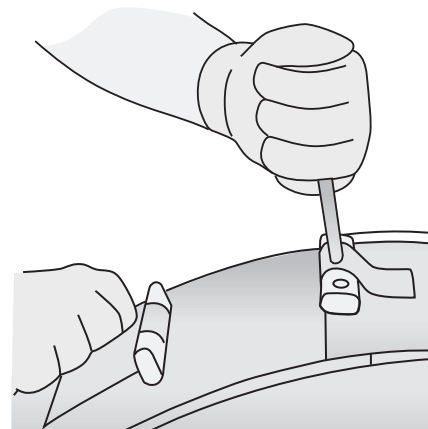
Snap gasket around periphery to allow for final seating. This will also serve to equalize tension in the band.

5



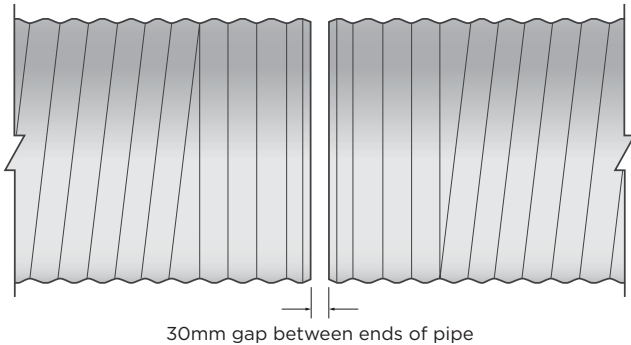
Lubricate the entire inner flat surface of the band between the corrugations with the same lubricant. Ensure spot welds are well covered.

6



Check bars for proper position of bolt holes. If necessary, use the bolt to turn the bar so that holes on both bars are in alignment.

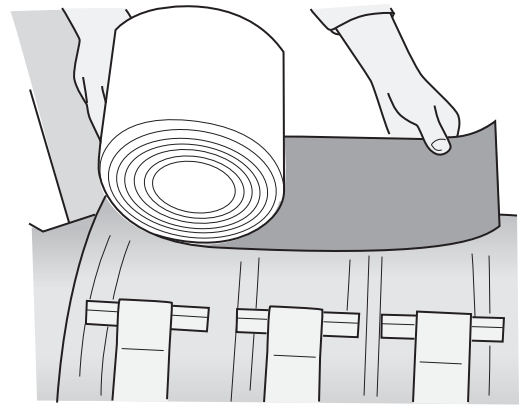
7



30mm gap between ends of pipe

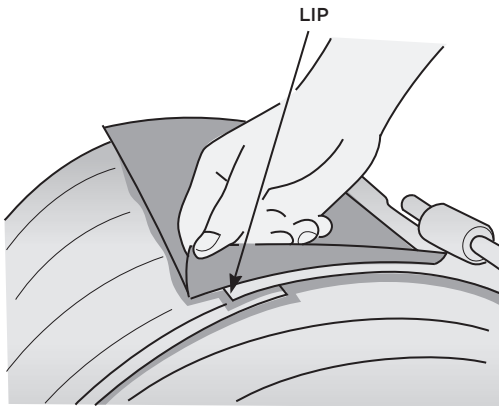
Pipe ends must be positioned approximately 30mm apart! This allows the corrugations of the Huggerband to properly align with the corrugations of the pipe.

8



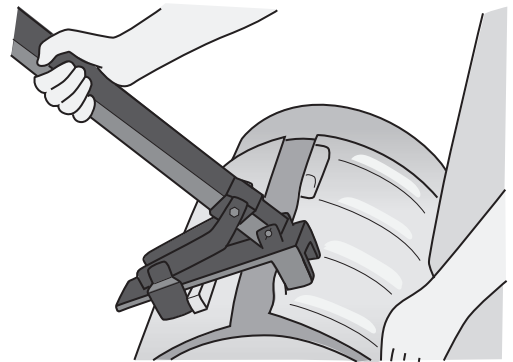
Cut off a piece of neoprene gasket the full width of the coupler.

9



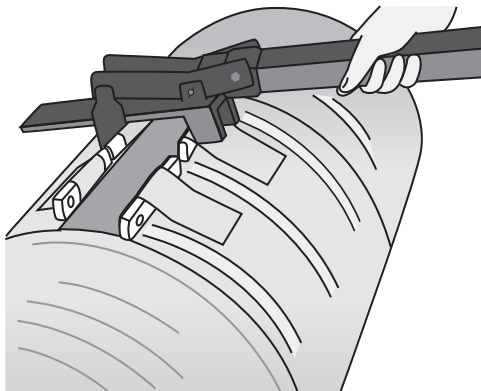
Ensure the gasket projects at least 5mm over the lip of the band. Place the gasket so that it fully seats in the valley of the corrugations. **Lubricate the top surface of the gasket.**

10



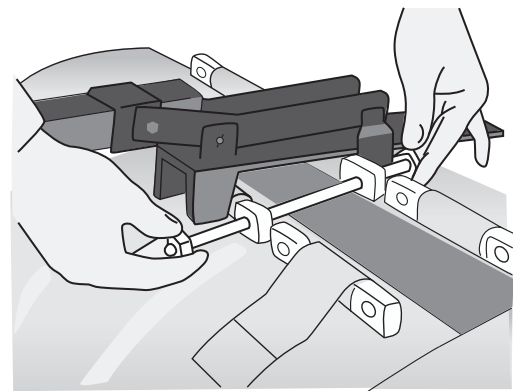
With necessary parts lubricated and all foreign matter removed between pipe and band, use Armtec Puller or long bolt to start the band lap.

11



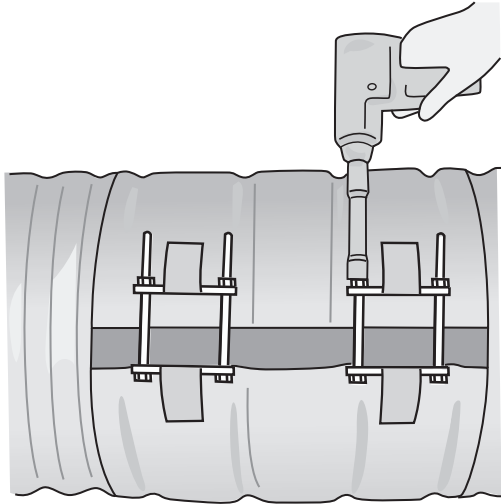
Pull Huggerband until tool is fully collapsed and in locking position.

12



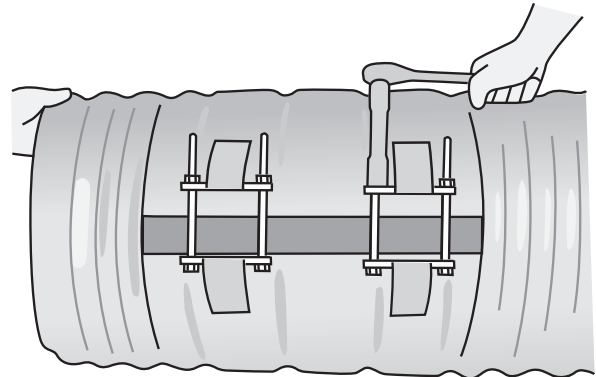
Insert bolts and tighten band.

13



Use a Deep Wall Socket and power wrench for rapid assembly. Tap band during tightening with rubber mallet or flat (wide) side of a 2 x 4 to ensure uniform seating of the gasket.

14



Bolts must be torqued to a minimum of 55 N-m (40 ft-lbs) to ensure proper tensioning of the band and compression of the gasket. For proper sealing, the band corrugation must be fully seated in the pipe corrugation. Where specifications restrict infiltration/exfiltration, a careful inspection must be conducted on the assembled joint to confirm proper installation.



Armtec is a leading national manufacturer of a comprehensive range of infrastructure products and engineered construction solutions for customers in a diverse cross-section of industries. With operations coast to coast, we are a trusted partner for transportation, public works, forestry, oil and gas, and mining operations throughout the country and abroad. Since 1908 our commitment to quality, customer service and innovation has set the benchmark in the Canadian drainage and bridge landscape.

Call 1-800-565-1152 or visit [armtec.com](http://armtec.com)