



Steel Sign Posts

Sign posts that are built to last. Armtec offers a full range of products to complement municipal and highway construction, while making our roadways safer.

Strong and Durable

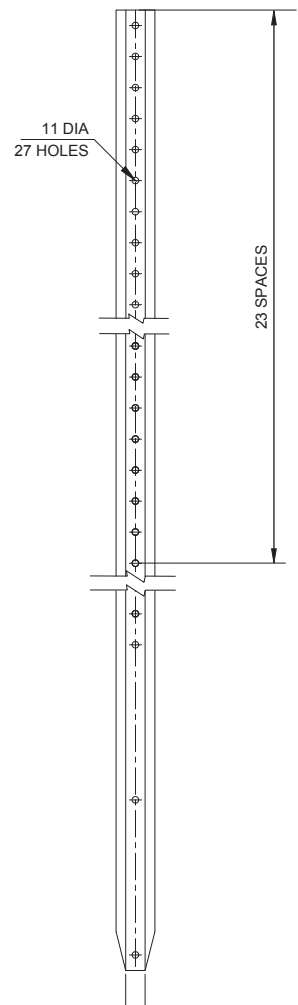
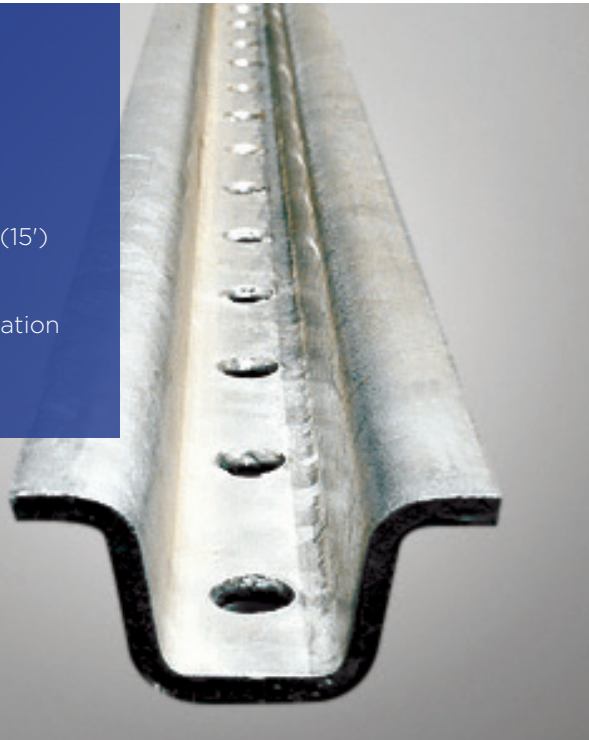
Made to last in all climates

Versatile

Variety of lengths from 1524 mm (5') to 4572 mm (15')

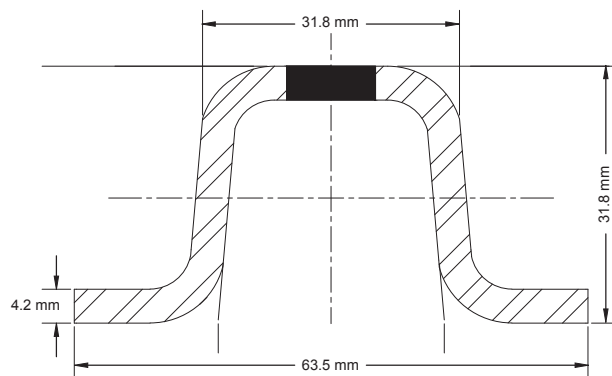
Economical

Minimizes materials, installation and maintenance costs



Material

4.2 mm (8 gauge) thickness structural quality conforms to **ASTM A1011** standard



Armtec is a leading national manufacturer of a comprehensive range of infrastructure products and engineered construction solutions for customers in a diverse cross-section of industries. With operations coast to coast, we are a trusted partner for transportation, public works, forestry, oil and gas, and mining operations throughout the country and abroad. Since 1908 our commitment to quality, customer service and innovation has set the benchmark in the Canadian drainage and bridge landscape.

Call **1-800-565-1152** or visit armtec.com