

## RED TOP

# P-30-1 PRESSURE SLIDE GATE

- Medium Duty
- Circular opening cast iron slide gate
- For 60 foot seating (face) pressure and 10 foot unseating (back) pressure
- Non-Rising bronze stem standard (Rising stainless steel stem, optional)
- Machined iron seat faces, standard
- Center-point wedge action
- Stainless steel assembly hardware, standard
- For mounting on concrete pipe or for wall mounting with a grout pad

### USES:

Water control application where a rugged but economical circular opening gate is required, such as small reservoirs, distribution boxes, ponding areas and pumping stations where fluid and operating conditions are only moderately severe and continuous throttling action is not anticipated.

### FEATURES:

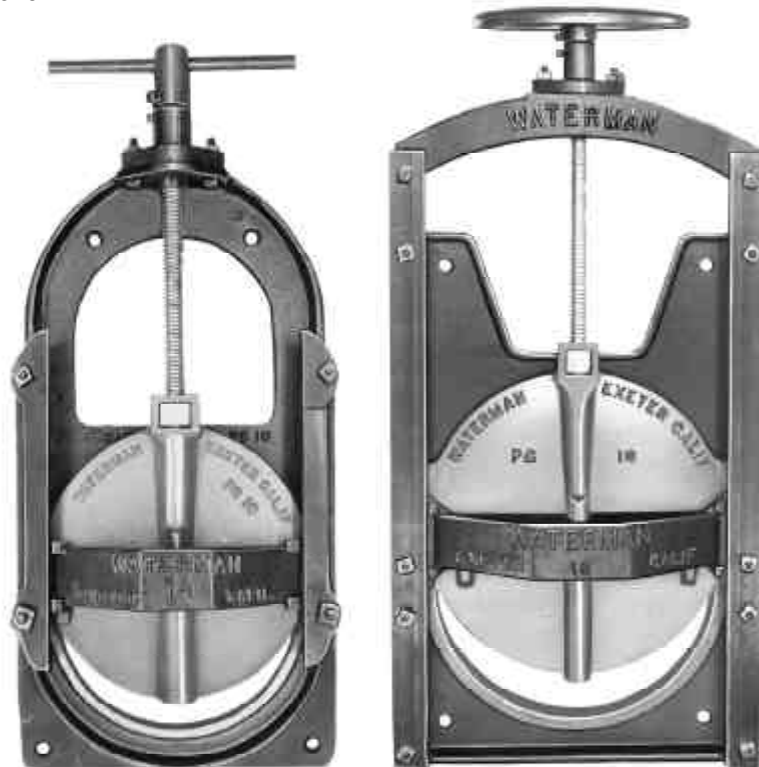
This gate is a product of many years of field and manufacturing experience. It features heavy duty, long-lasting construction. The cast iron frame is designed with an open back which permits ease in setting.

This gate has a powerful closing device yet is easily opened under all conditions. All of these gates feature a non-rising solid brass screw with rugged "Acme" type thread. Sizes up to 14" are sold with a "Tee" handle while the larger sizes are equipped with a handwheel.

Select either a fully machined iron seated gate or a gate equipped with an optional bronze mounted seat for severe conditions. Recommended maximum pressures are 60 foot face pressure and 10 foot back pressure. A variety of sizes are available.

Also manufactured with circular flangeback frame (P-30ff) with 125# ANSI straddle center drilling as standard. 25# ANSI drilling optional.

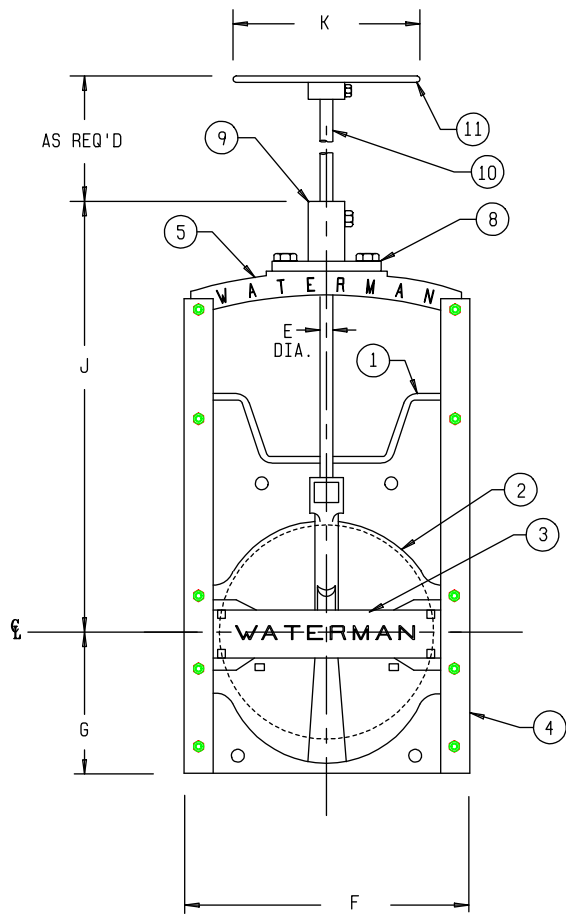
- Optional bronze seat faces
- Optional stainless steel guide rails on 16" and larger



14" and Smaller

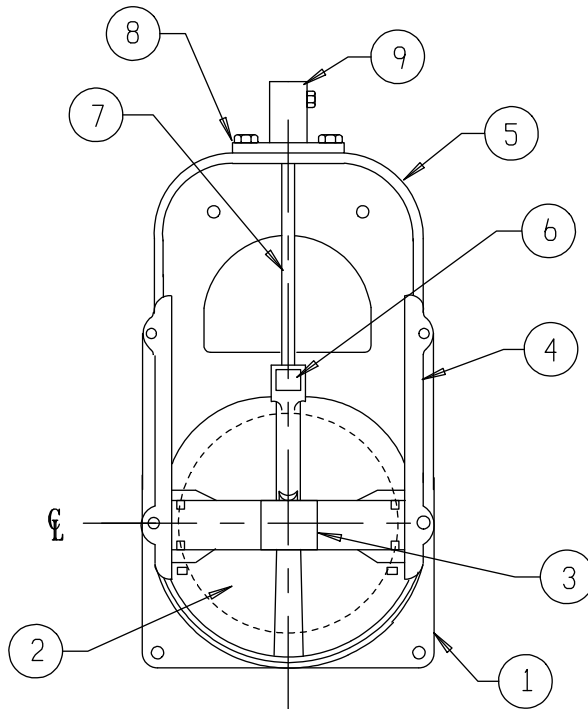
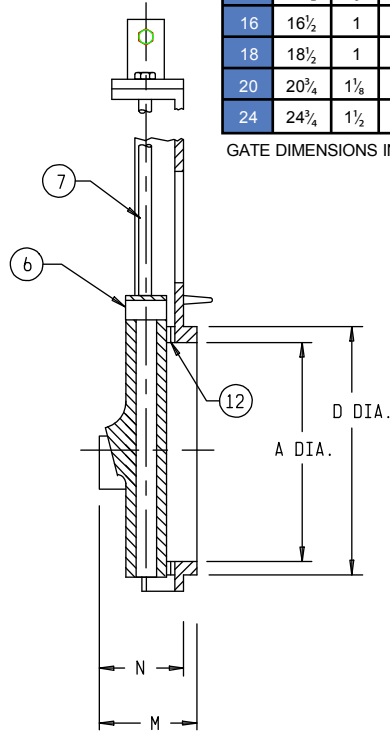
16" and Larger

# MODEL P-30-1 RED TOP PRESSURE SLIDE GATE



A	D	E	F	G	J	K	M	N
6	6½	⅞	10	5½	14¼	10	3½	3
8	8½	⅞	11⅞	5½	17⅝	10	3½	3
10	10½	⅞	13¾	6½	20⅞	10	4	3½
12	12¾	⅞	15⅝	8	24⅞	12	5	4
14	14½	⅞	18	9	26	12	6⅞	5
16	16½	1	20⅞	10½	30¼	12	6¼	5¼
18	18½	1	22¾	11½	33¾	15	6¼	5¼
20	20¾	1⅛	25	12½	40	15	6½	5½
24	24¾	1½	29¾	14½	48½	18	6½	5½

GATE DIMENSIONS IN INCHES



PARTS LIST	
No.	Name
1	Frame
2	Cover
3	Arch
4	Rail
5	Yoke
6	Thrust Nut
7	Stem
8	Collar
9	Stem Ext. Brkt.
10	Ext. Stem
11	Handwheel
12	Bronze Seat - Optional