

» THE LEADING
CATCH BASIN INSERT
TECHNOLOGY

» ENVIROPOD™ HAS
OVER 25 YEARS
OF DEVELOPING
AT-SOURCE
TREATMENT

» OVER 50,000
ENVIROPOD
INSTALLATIONS
WORLDWIDE

» IMPLEMENTED BY
MUNICIPALITIES
AND BUSINESS

Meet water quality objectives and regulations with EnviroPod™ LittaTrap™

The patented, modular inlet filter is designed to capture 100% of plastic, trash and gross solids over 5mm. Backed by an eight year warranty, the EnviroPod™ LittaTrap™ ensures long term performance and reliability.

» **EASY INSTALLATION** with fewer parts and a lighter frame, the installation process is quicker and saves you time on site

» **FLEXIBILITY** The flexible design allows the system to be easily adjusted to fit any catch basin configurations

» **SEAL AND ADAPTOR KITS** for irregular sized and manhole catchbasins

» **HAND MAINTENANCE**

The LittaTrap™ can be maintained quickly and easily by hand or by vacuum truck

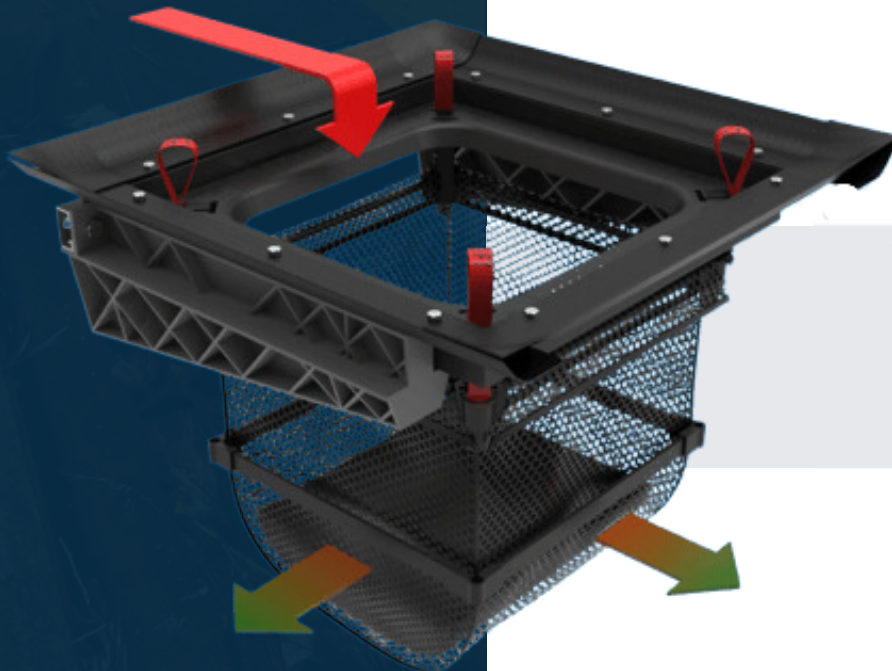
» **THIRD PARTY TESTED** and hydraulically engineered

» **LIGHTWEIGHT & DURABLE**

The lightweight yet durable design of the LittaTrap™ is a safer and a longer lasting product than the alternatives

» **MULTIPLE CONFIGURATIONS**

Multiple Configurations available; from Manhole, Curb and Grate Inlet, contact us to start your project today



More information is available at
www.enviropod.com

EASY MAINTENANCE

Maintenance is a simple process that requires no confined space entry. Maintenance can be quickly undertaken using a vacuum truck or it can be maintained manually by hand.



1 Lift

Lift the LittaTrap™ out of the catch basin using the LIFT handles.



2 Tip

Tip the contents out of LittaTrap™ into suitable receptacle for contents.



3 Reuse

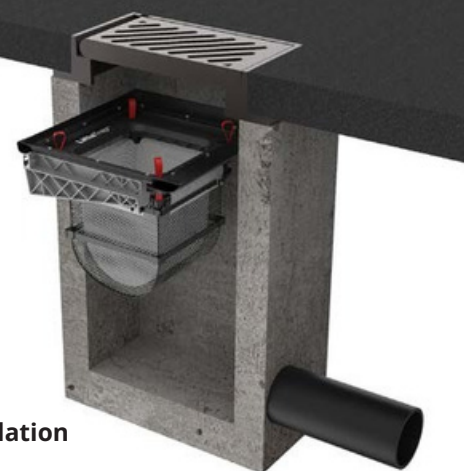
Reuse the LittaTrap™ by placing securely back into the surrounding frame and seal, and close grate.

INSTALLATION - HIGH CAPACITY CURB INLET AND GRATE INLET



Scan QR code to download installation manual or go to:

www.enviropod.com/resources/installation



Captured trash from one LittaTrap™

