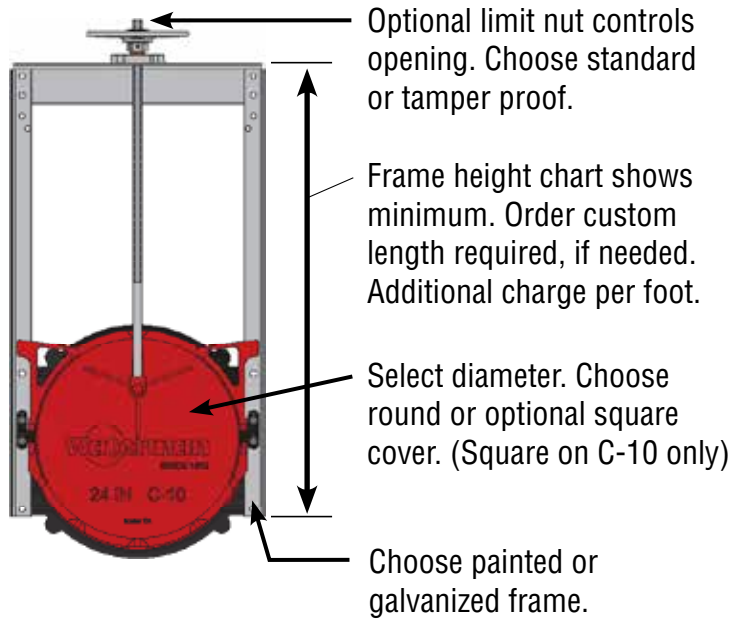


OVERVIEW



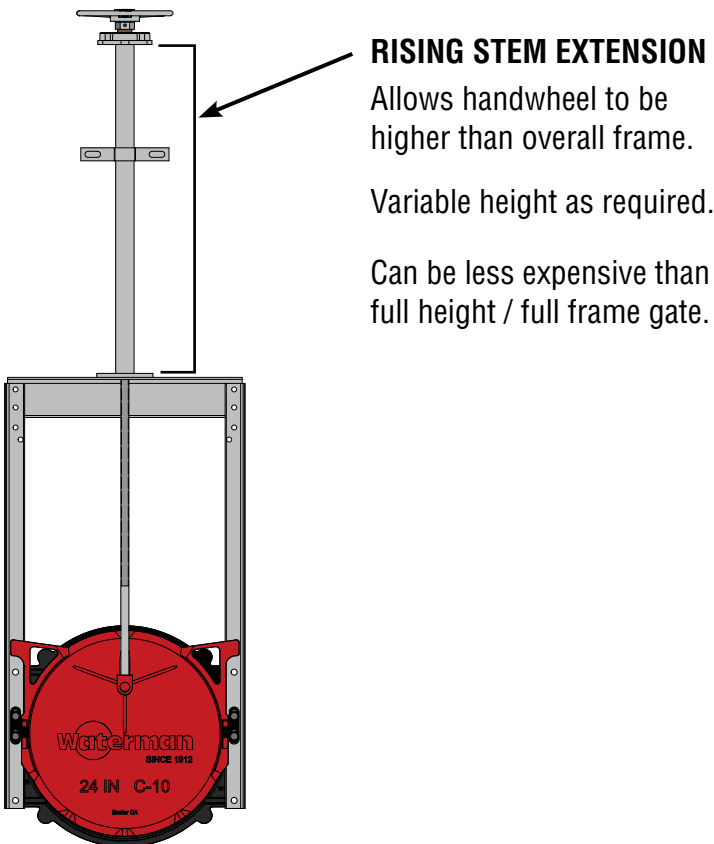
MOUNTING OPTIONS

Flat back for flush mount to wall



Spigot options to fit corrugated, plastic pipe and concrete pipe, see chart on page 6 for details.

SPECIALTY OPTIONS



NON-RISING STEM

Commonly used in areas with minimal overhead clearance, prevents gate stern from extending above the handwheel/op nut when in open position.



Waterman is the only manufacturer to stand behind its canal gates (models C-10 and C-20) with a limited lifetime warranty. This warranty applies to units manufactured after January 1, 2016.